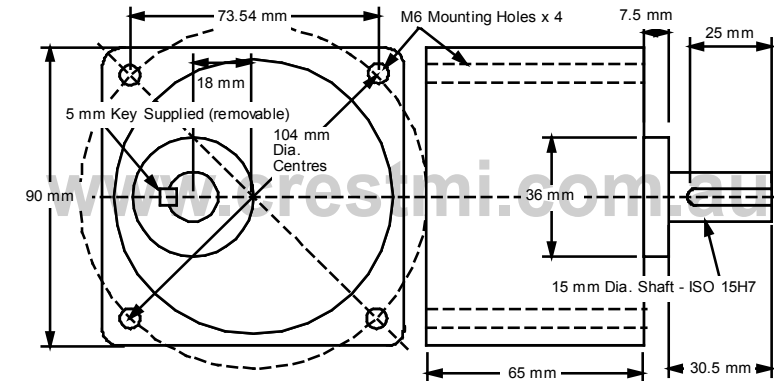


AC51K60RGU-CF Motor

Motor Parameters (Excluding Gearhead)

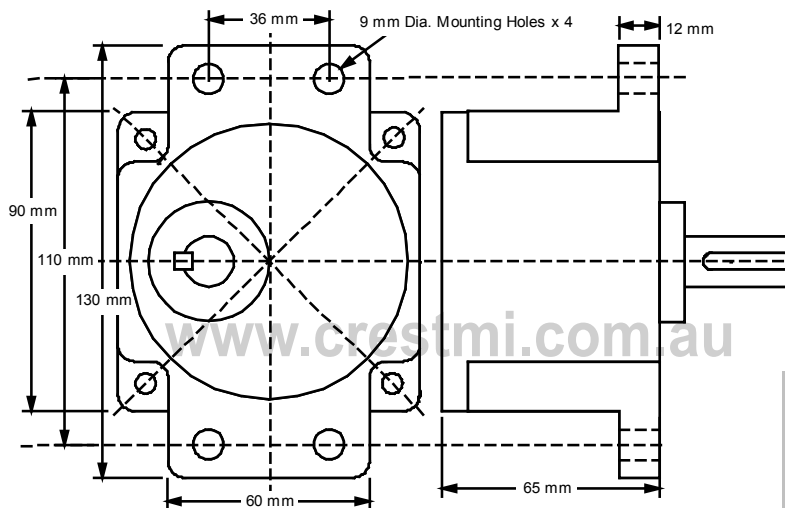
- Operating Voltage: Single Phase 220-240 VAC 50Hz
- Output Power: 60 Watts
- Rating: Continuous
- Speed: 1500 RPM Synchronous (4 Pole)
Actual = 2% - 20% Less - Load Dependent
- Rated Motor Current: 800 mA
- Startup Torque: 265 mN.m
- Maximum Allowable Torque: 490 mN.m
- Start/Run Capacitor Value: 4uF @ 450 VAC
- Nominal Speed Control Range: 90 - 1400 RPM
- Ex Factory Connection: Lead Wire Exiting motor body
- Motor Body: Aluminium Sealed - External Cooled Fan
- Ball Bearings
- Output Shaft: Pinion (meshes with gearbox)
- Weight: ~3 kg



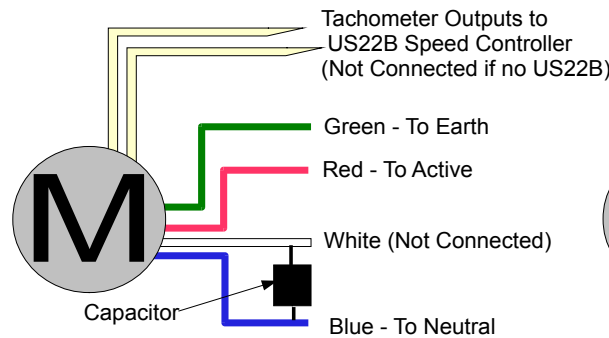
Standard Type (5GUxxK)

Gearhead Construction

- Casing: Aluminium Alloy
- Gears: All Steel - Spur & Helical
- Bearings: Ball & Roller throughout
- Lubrication: Permanent Grease Packed
- Weight: ~1.7 kg

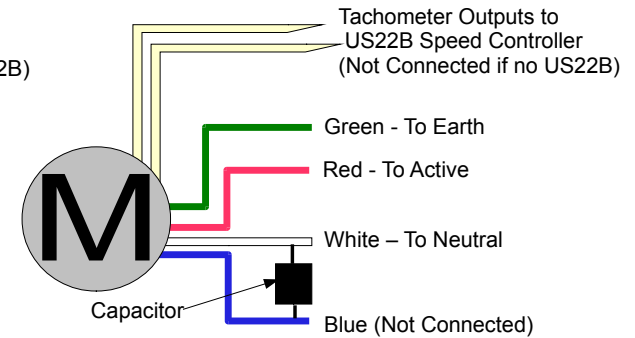


Flanged Type (5GUxxKF)



Connection for CCW Motor Rotation

Note: The Gearhead ratios from 12.5 to 18 and 90 to 200 yield an opposite rotation on the output shaft.



Connection for CW Motor Rotation

Note: The Gearhead ratios from 12.5 to 18 and 90 to 200 yield an opposite rotation on the output shaft.

Gearbox Model No.	5GU3K	5GU6K	5GU9K	5GU12.5K	5GU18K	5GU25K	5GU36K	5GU50K or 5GU50KF	5GU75K	5GU100KF Flanged	5GU150KF Flanged	5GU200K or 5GU200KF	
Synchronous Shaft Speed	500 RPM	250 RPM	166 RPM	120 RPM	83 RPM	60 RPM	41 RPM	30 RPM	20 RPM	15 RPM	10 RPM	7.5 RPM	
ACS1K60RGU-CF Allowable Torque ⇒	N.m Kgf.cm	1.1 11.2	2.3 23.4	3.4 34.7	4.8 48.9	6.8 69.3	8.6 87.7	11 110	12.4 126	18.6 189	20 200 Gearbox Limit	20 200 Gearbox Limit	20 200 Gearbox Limit